

PARABOLIC SCREEN



Parabolic screen SPS is used for continuous separation of solid pollution in waste water.

Use The parabolic screen is used to separate the mechanical impurities from the industrial waste water. The best results are mainly in the food processing industries as slaughterhouses, meat-processing, dairies, canning factories – mainly as the fine filtration before the chemical treatment on the D.A.F. (dissolved air flotation).

Rotary screen is used in the different branches of the food-processing industry, especially in the meat-processing factories, slaughterhouses, dairy works, canning factories etc.

Parabolic screen SPS filtrates solid pollution from wastewater by a curved parabolic screen.

Generally, the rotary screen is installed before the flotation (DAF) as the first step of the waste water pre-treatment.

Principle of working

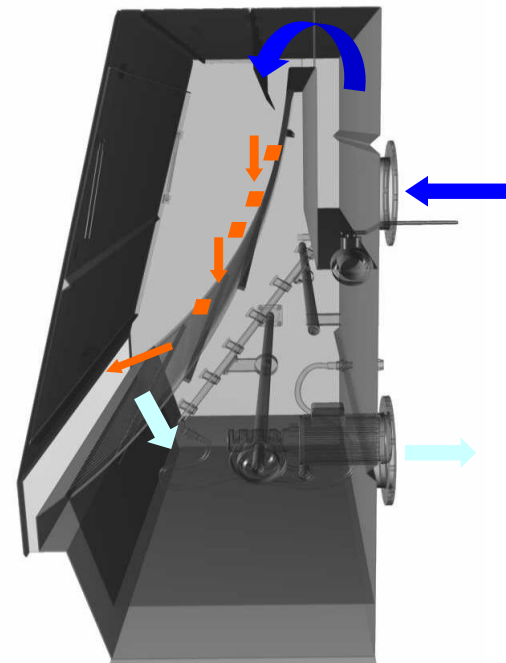
The main part of the facility is a curved/parabolic screen created by winding a wire of trapezoidal profile, with a space between the threads. The slot size is usually 0,5-1,5mm.



Polluted waste water is transported by a pump or flows by its own gravity into the inlet tank.

The water stream goes calm in the inlet tank until water level in the inlet part reaches up the overflowing edge where the distributing plate dispatches the water on the parabolic screen.

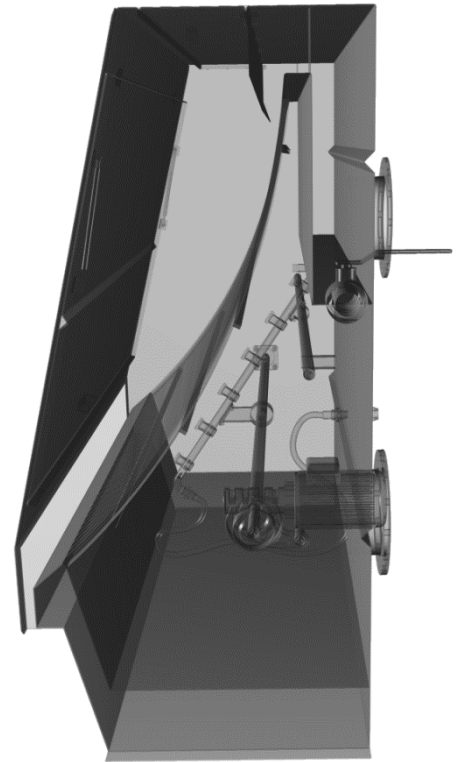
Water flows through the screen and falls into the outlet tank, then through the pipe out of the screen (into the sump, sewerage).



PARABOLIC SCREEN



Impurities exceeding the opening size remain on the parabolic screen and slide down to the screenings outlet and fall into the container or through the feeder into the rotating screw.



The overall output (m^3 of wastewater treated per hour) of the particular types of the RS/RC/SPS rotary screens always depends on the specific nature of the wastewater and on the specific conditions of the treatment, which should be consulted with the manufacturer.

PARABOLIC SCREENS SPS – Technical parameters										
TYPE	width	FLOW CAPACITY m^3/H				connection flanges diameters mm		basic dimensions mm		
		0,5mm	0,75mm	1mm	1,5mm	inlet	outlet	L	B	H
SPS 400	400	10	15	22	30	50	100	400	850	1300
SPS 600	600	15	22	33	45	65	150	600	850	1300
SPS 1200	1200	30	44	66	90	80	200	1200	850	1300
SPS 1900	1900	45	66	99	115	200	300	2220	1100	1200

