

## ROTARY SCREEN RS



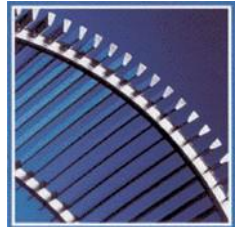
**Rotary screen is used for continuous separation of solid pollution in waste water. It can be equipped with additional integrated compactor.**

**Use** Rotary screen is used in the different branches of the food-processing industry, especially in the meat-processing factories, slaughterhouses, dairy works, canning factories etc.

Generally, the rotary screen is installed before the flotation (DAF) as the first step of the waste water pre-treatment.

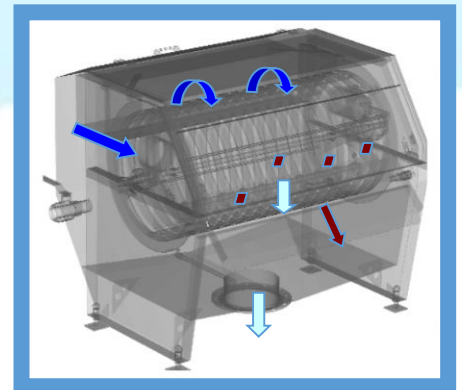
*Rotary screen is used for continuous separation of solid pollution in waste water.*

**Principle of working** Main operational part of rotary screen is a slot tube which is a welded structure with support profiles which are rods in the axial direction of the tube and surface profiles spirally wound around the support profiles.



Water is conveyed by a pump or flows by gravity on the slot tube and passes through the slots (slot sizes 0.25-2.50mm).

The solid pollution that exceeds the dimension of the slot, remains on the exterior of the rotating slot tube and it is scrapped and falls down into a container.



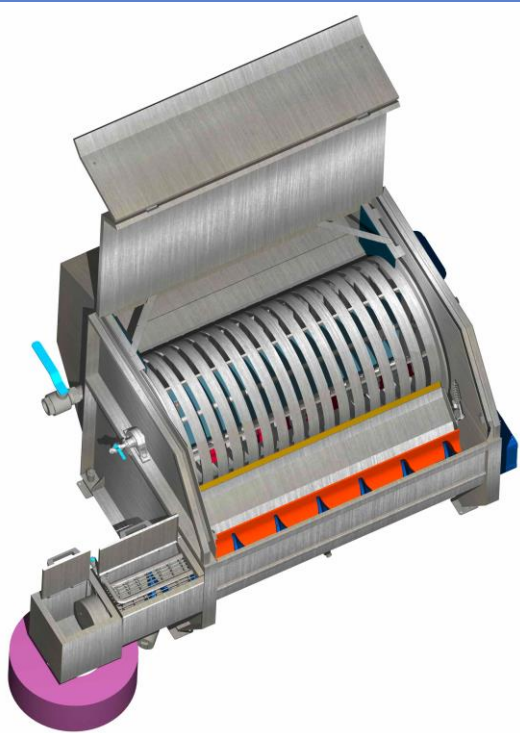
Treated water, free of solid pollution, flows out from the lower part of the rotary screen.

The inlet tank is equipped with an overflow draining away the excessive wastewater back to the pumping station.



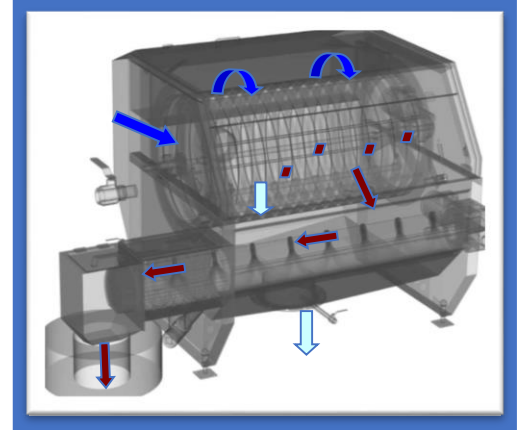


## ROTARY SCREEN RC with integrated compactor



Rotary screen RC is based on the RS series but in addition has the integrated compactor.

**Principle of working** Screenings slide down into the skimmer and fall through the feeder into the rotating screw. The screenings move through the screw and are pressed towards the slotted screen. A thrust plate at the end of the screen exerts counter pressure needed to compact the screenings and dewater them as much as possible. While the thrust plate resistance is broken, the dewatered screenings fall into a container. Treated water, free of solid pollution, flows out from the lower part of the rotary screen. The water from screening goes directly to the outlet tank of the screen.



Rotary screen is not recommended for separation of fast settling contamination (gravel, metal particles, glass) and such other contamination which does not stick to the cylindrical screen and slides back into the inlet tank (pumice-stone, spherical impurities). For this use a VODATECH [drum screen](#) is recommended.

**The overall output** ( $m^3$  of wastewater treated per hour) of the particular types of the RS/RC rotary screens always depends on the specific nature of the wastewater and on the specific conditions of the treatment, which should be consulted with the manufacturer.



## ROTARY SCREEN RS/RC – Technical parameters

TYPE RS / RC-with integrated compactor	cylinder diameter mm	cylinder length mm	input kW	weight kg	connection flanges diameters		basic dimensions mm		
					inlet	outlet	L	B	H
<b>RS 300-500</b>	300	500	0,12	120	50	80	795	820	652
<b>RS 460-400</b>	460	400	0,18	150	100	150	1122	834	980
<b>RC 460-400</b>	460	400	0,73	190	100	150	1272	1414	1174
<b>RS 460-500</b>	460	500	0,18	170	100	150	1122	934	980
<b>RC 460-500</b>	460	500	0,73	220	100	150	1272	1514	1174
<b>RS 460-600</b>	460	600	0,18	200	150	200	1122	1034	980
<b>RC 460-600</b>	460	600	0,73	250	150	200	1272	1614	1174
<b>RS 460-700</b>	460	700	0,18	240	150	200	1122	1134	980
<b>RC 460-700</b>	460	700	0,73	290	150	200	1272	1714	1174
<b>RS 625-500</b>	625	500	0,25	290	150	200	1388	952	1298
<b>RC 625-500</b>	625	500	0,80	270	150	200	1555	1528	1298
<b>RS 625-800</b>	625	800	0,25	320	200	250	1388	1252	1298
<b>RC 625-800</b>	625	800	0,92	400	200	250	1555	1828	1298
<b>RS 625-1100</b>	625	1100	0,37	380	200	250	1388	1552	1298
<b>RC 625-1100</b>	625	1100	0,92	500	200	250	1555	2128	1298
<b>RS 625-1400</b>	625	1400	0,37	480	200	250	1388	1852	1298
<b>RC 625-1400</b>	625	1400	1,12	590	200	250	1555	2428	1298
<b>RS 625-1700</b>	625	1700	0,55	480	250	300	1388	2152	1298
<b>RC 625-1700</b>	625	1700	1,30	610	250	300	1555	2728	1298
<b>RS 625-2000</b>	625	2000	0,55	510	250	300	1388	2452	1298
<b>RC 625-2000</b>	625	2000	1,65	670	250	300	1555	3028	1298
<b>RS 914-1400</b>	914	1400	0,75	560	300	350	1845	1866	1734
<b>RC 914-1400</b>	914	1400	1,50	720	300	350	2073	2428	1734
<b>RS 914-1600</b>	914	1600	0,75	590	300	350	1845	2066	1734
<b>RC 914-1600</b>	914	1600	1,50	790	300	350	2073	2628	1734
<b>RS 914-1800</b>	914	1800	0,75	710	300	350	1845	2266	1734
<b>RC 914-1800</b>	914	1800	1,85	920	300	350	2073	2828	1734
<b>RS 914-2000</b>	914	2000	1,10	780	300	350	1845	2466	1734
<b>RC 914-2000</b>	914	2000	2,20	1000	300	350	2073	3028	1734
<b>RS 914-3000</b>	914	3000	1,15	1400	300	350	2073	4028	1734

